

F-603

Fiber, Objective and Waveguide Holders



Rear (left to right) Microscope Objective Holders: F-603.14, F-603.12 (mounted on P-611.3SF NanoCube™ NanoAlignment System) F-603.11, F-603.13

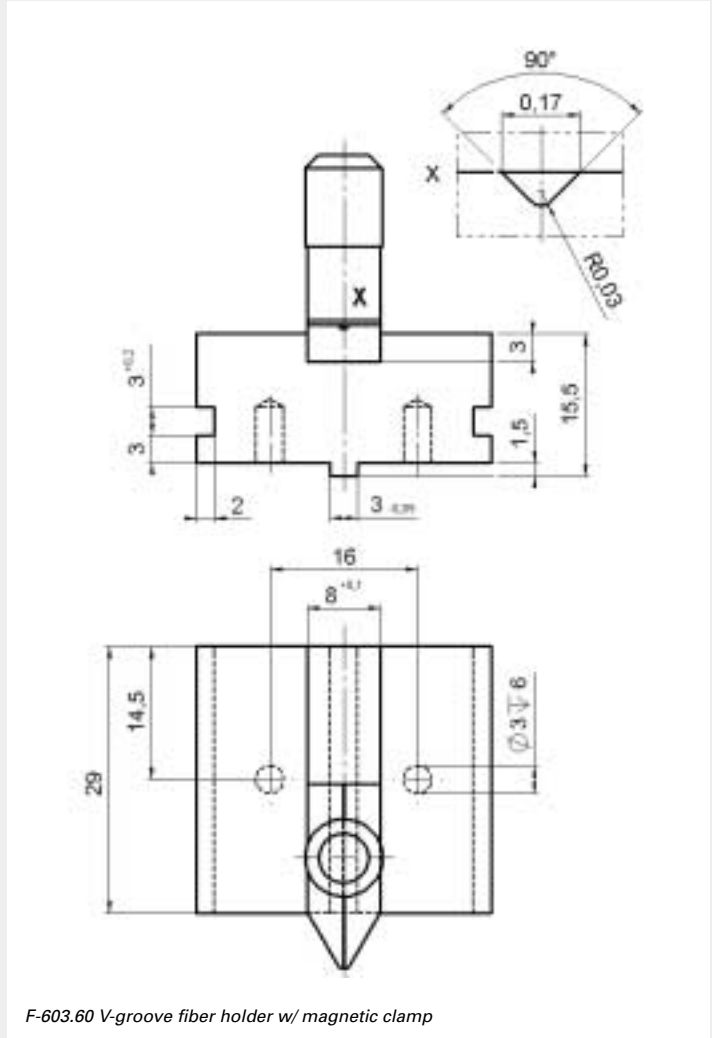
- Mount on a Variety of PI Alignment Systems
- Precision Machined from High-Strength Aluminum

The F-603 series component holders for fiber optic applications can be combined with the following Micro- & Nano-Positioning systems from PI:

- F-206 6D-Hexapod-Alignment System
- F-130 and F-131 Alignment Systems
- P-611.3OF and P-611.3SF NanoCube™ NanoAligners
- A Variety of Combinations of NanoCubes™ with Other MicroPositioning Systems

All adapters are equipped with a 3-mm-wide tongue that fits in a slot machined into the platform of the positioning system.

M3 capscrews and miniature cleats supplied with each F-603 adapter are used to fasten these accessories quickly.

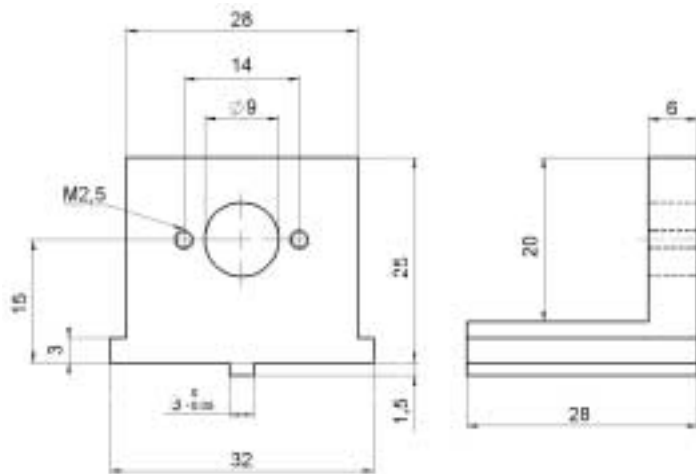


F-603.60 V-groove fiber holder w/ magnetic clamp

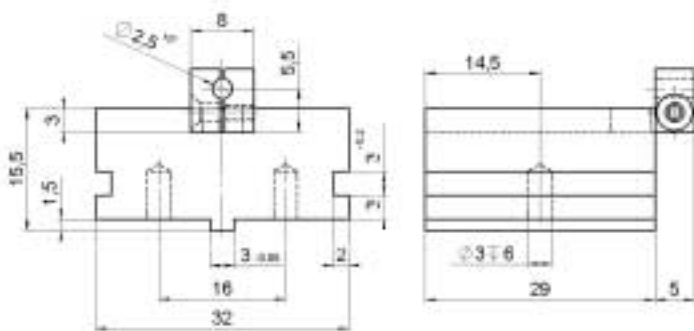
Ordering Information

- F-603.11**
Microscope Objective Holder
W0.8x 1/36"
- F-603.12**
Microscope Objective Holder
M19x0.75
- F-603.13**
Microscope Objective Holder
M25x0.75
- F-603.14**
Microscope Objective Holder
M26x0.75
- F-603.20**
Vacuum Waveguide Mount
- F-603.21**
Fiber Holder for FC-Connector
- F-603.22**
Ferrule Holder
- F-603.60**
V-Groove Fiber Holder with Magnetic
Clamp

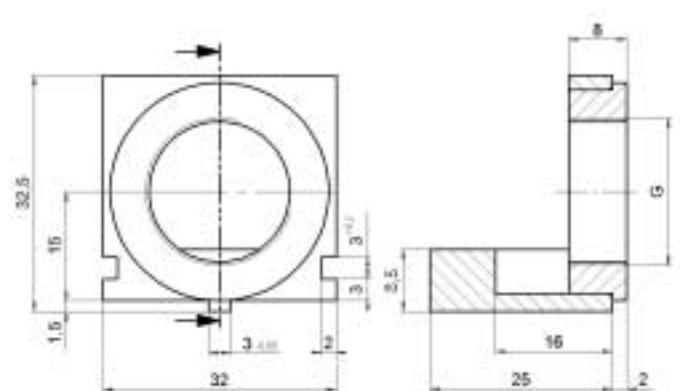
**Custom Designs
for Volume Buyers**



F-603.21 fiber holder for FC-connector



F-603.22 ferrule-holder



F-603.11 microscope objective holder W0.8 x 1/26"
 F-603.12 microscope objective holder M19 x 0.75
 F-603.13 microscope objective holder M25 x 0.75
 F-603.14 microscope objective holder M26 x 0.75