

Accessories (cont.)

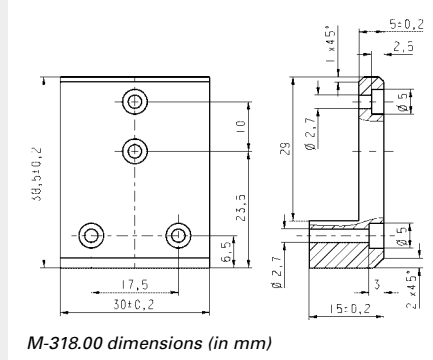
Mounting Adapters for M-310 Series Stages

M-318.00

Z-axis mounting bracket for vertical mount of M-310 series stages on M-310 series stages
Material: Al; Weight: 0.025 kg



M-318.00 Z-axis mounting bracket



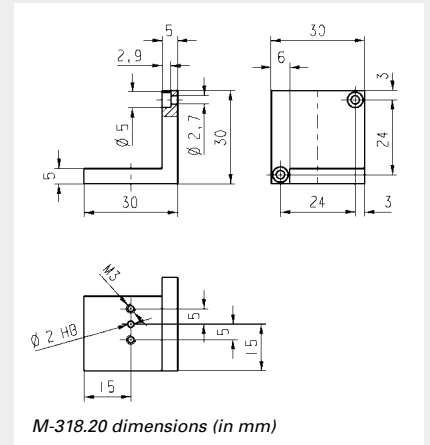
M-318.00 dimensions (in mm)

M-318.20

Mounting bracket for mounting F-010 fiber holders on vertically mounted M-310 series stages
Material: Al; Weight: 0.02 kg



M-318.20 mounting bracket



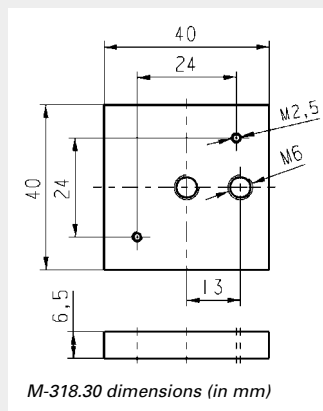
M-318.20 dimensions (in mm)

M-318.30

Adapter plate for mounting M-310 series stages on a post with M6 threaded stud.
Material: Al; Weight: 0.03 kg



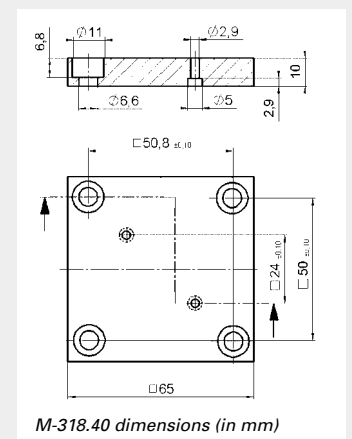
M-318.30 adapter plate



M-318.30 dimensions (in mm)

M-318.40

Adapter plate for mounting M-310 series stages on a honeycomb table (metric or Imperial)
Material: Al; Weight: 0.06 kg



M-318.40 dimensions (in mm)

PZT Actuators
PZT Flexure NanoPositioners
PZT Active Optics / Steering Mirrors
Tutorial: Piezoelectrics...
Capacitive Position Sensors
PZT Control Electronics
MicroPositioners / Hexapod Systems
Photonics Alignment & Packaging Systems
Motor Controllers
Index

<http://www.pi.ws>
info@pi.ws

Mounting Adapters for M-105 Stages

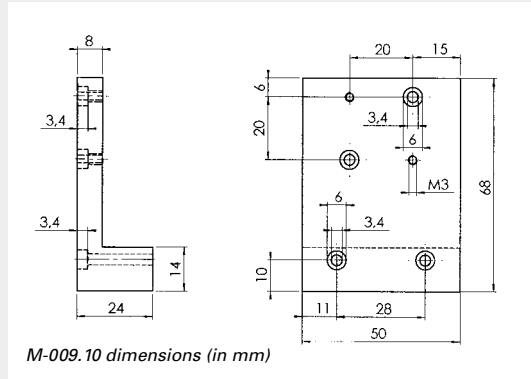
M-009.10

Z-axis mounting bracket for vertical mount of M-105/106 stages on M-105/106 stages (attaches to side of M-105).

Material: Al; Weight: 0.1 kg



M-009.10 Z-axis mounting bracket



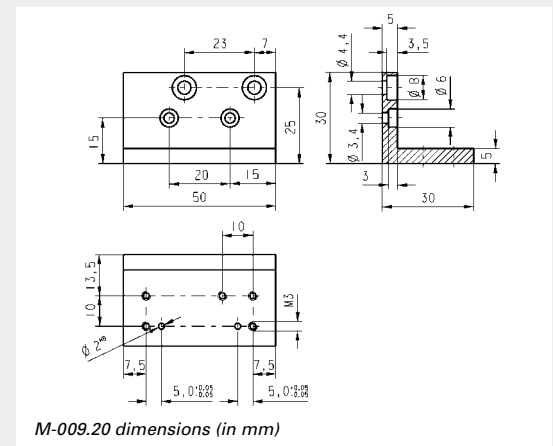
M-009.20

Mounting bracket for mounting P-280 PZT block actuators or F-010 fiber holders on vertically mounted M-105 / M-106 stages.

Material: Al; Weight: 0.04 kg



M-009.20 mounting bracket



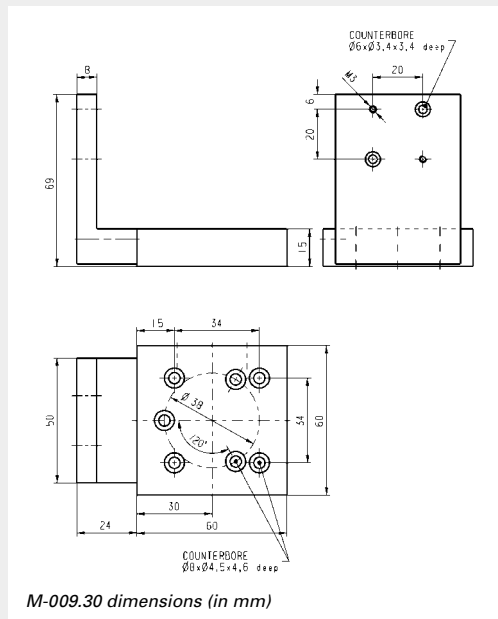
M-009.30

Z-axis adapter plate for vertical mount of M-105/6 stages on stages with PI Standard Hole Pattern (requires M-009.10)

Material: Al; Weight: 0.14 kg



M-009.30 Z-axis adapter plate



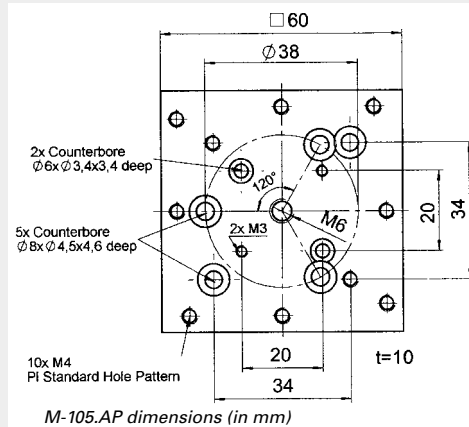
Accessories (cont.)

Mounting Adapters for M-105 and M-126 Stages

M-105.AP

Adapter plate for mounting stages w/o PI Standard Hole Pattern (M-105/M-106, M-126 etc.) on stages with PI Standard Hole Pattern and vice versa.

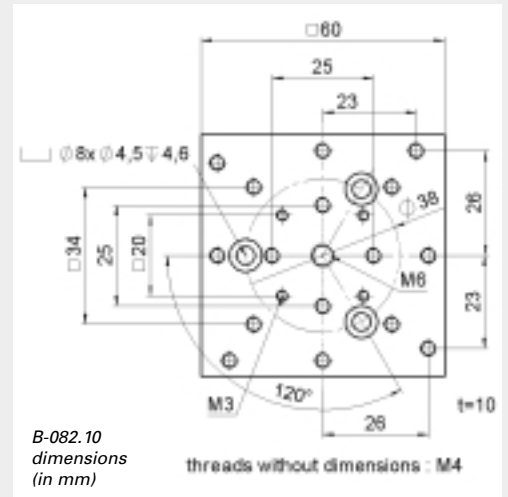
Material: Al, Weight: 0.09 kg



B-082.10

Adapter plate for horizontal mount of M-105/M-106 stages on stages with PI Standard Hole Pattern (e.g. M-011, M-014)

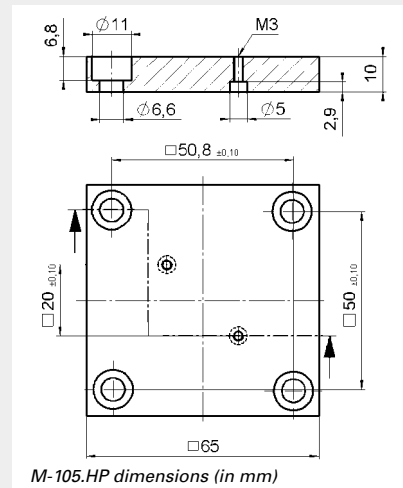
Material: Al, Weight: 0.14 kg



M-105.HP

Adapter plate. For mounting M-105 stages (and F-110) on honeycomb tables (metric & imperial).

Material: Al



Accessories (cont.)

Mounting Adapters for M-105 , M-110, M-111

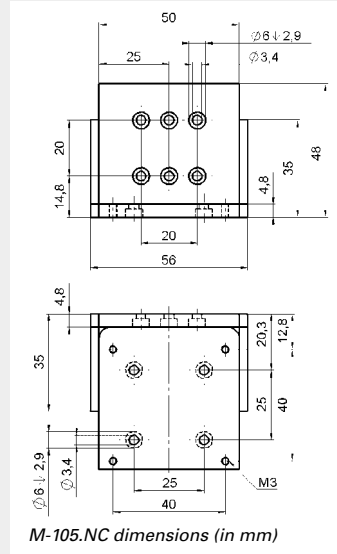
M-105.NC

Mounting Bracket for mounting P-611 NanoCube™ Nano-Positioning stages on M-105, M-110 and M-111 stages. Can be combined with B-082.10 adapter plate for adaptation to other PI translation stages.

Material: Al



M-105.NC



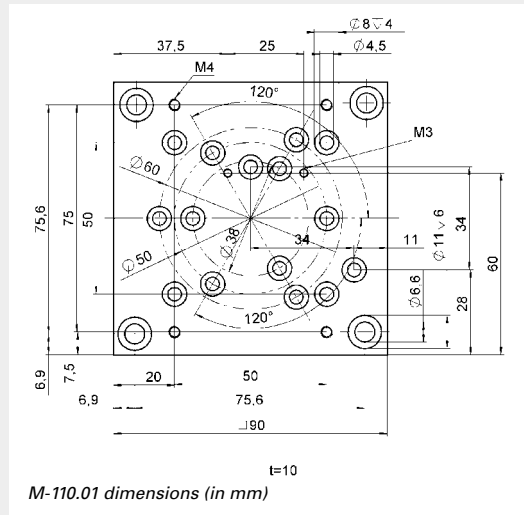
M-110.01

Adapter plate for mounting of M-110 and M-111 (F-130) and M-605 series stages on honeycomb tables (metric & imperial).

Material: Al



M-110.01 (latest version has additional holes, see drawing).



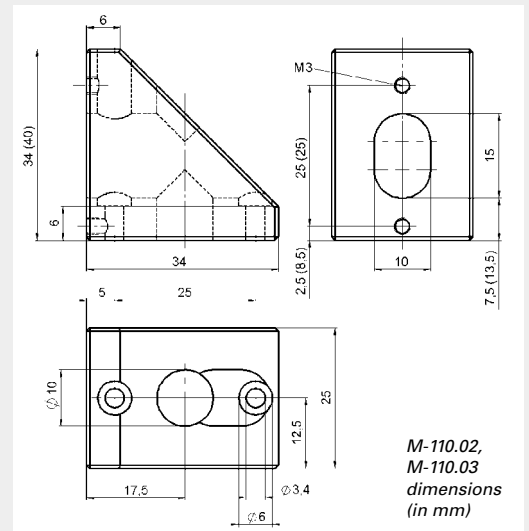
M-110.02, M-110.03

Z-axis mounting bracket for vertical mount of M-110 (M-110.02) and M-111 (M-110.03) series stages on M-110 and M-111 series stages

Material: Al



Z-axis mounting brackets for M-110 (left), M-111 (right)



Mounting Adapters for M-126 Stages

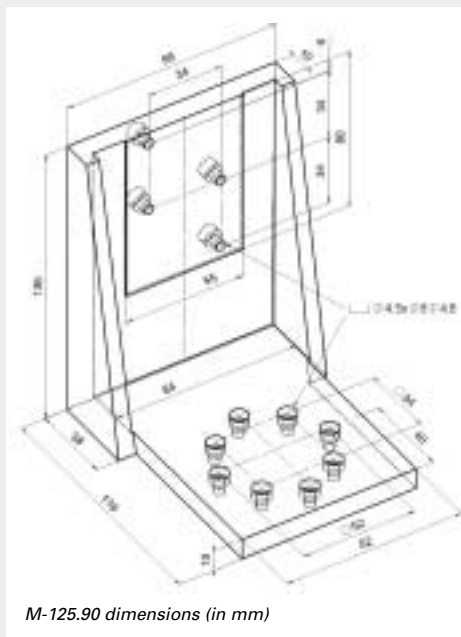
M-125.90

Z-axis mounting bracket for vertical mount of M-126 stages.

Material: Al; Weight: 0.68 kg



M-125.90 Z-axis mounting bracket



M-125.90 dimensions (in mm)

M-126.80

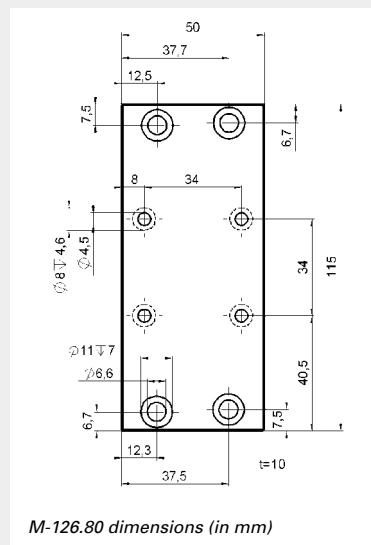
Adapter plate for mounting M-126 stages on honeycomb tables (metric & imperial).

Material: Al

M-105.AP and B-082.10 can also be used with M-126 stages.



M-126.80



M-126.80 dimensions (in mm)

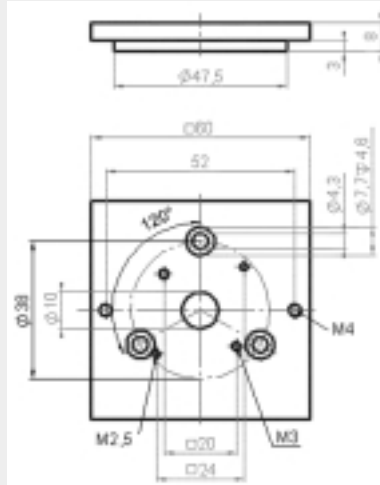
Accessories (cont.)

Mounting Adapters for M-037 , M-038 Rotary Stages

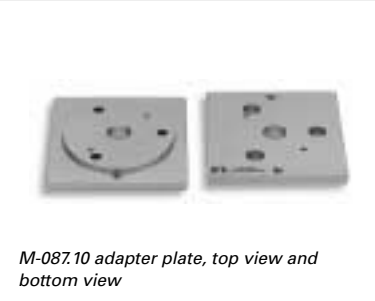
M-087.10

Adapter plate for horizontal mounting of translation stages (e. g. M-105) on M-035 and M-037 rotation stages

Material: Al; Weight: 0.07 kg



M-087.10 dimensions (in mm)

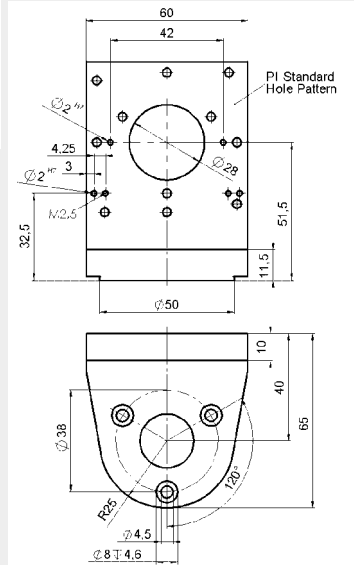


M-087.10 adapter plate, top view and bottom view

M-052.40

Z-axis mounting bracket for vertical mount of M-011, M-035, M-037 and M-041/42 on M-035 and M-037 rotation stages

Material: Al; Weight: 0.19 kg



M-052.40 dimensions (in mm)

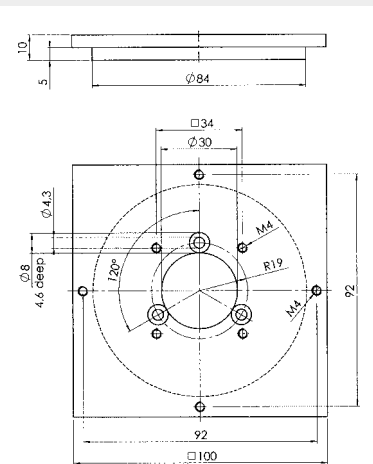


M-052.40 Z-axis mounting bracket

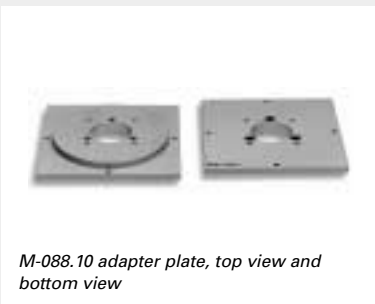
M-088.10

Adapter plate for horizontal mounting of translation stages on M-036 and M-038 rotation stages

Material: Al; Weight: 0.2 kg



M-088.10 dimensions (in mm)

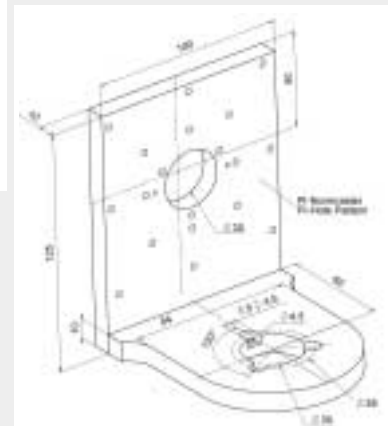


M-088.10 adapter plate, top view and bottom view

M-053.40

Z-axis mounting bracket for vertical mount of M-014 (manual versions), M-036, M-038 and M-043/M-044 on M-036 and M-038 rotation stages.

Material: Al; Weight: 0.5 kg



M-053.40 dimensions (in mm)



M-053.40 Z-axis mounting bracket

PZT Actuators
PZT Flexure NanoPositioners
PZT Active Optics / Steering Mirrors
Tutorial: Piezoelectrics...
Capacitive Position Sensors
PZT Control Electronics
MicroPositioners / Hexapod Systems
Photonics Alignment & Packaging Systems
Motor Controllers
Index

<http://www.pi.ws>
info@pi.ws

Angle Brackets for M-011, M-035, M-037, M-041, M-042

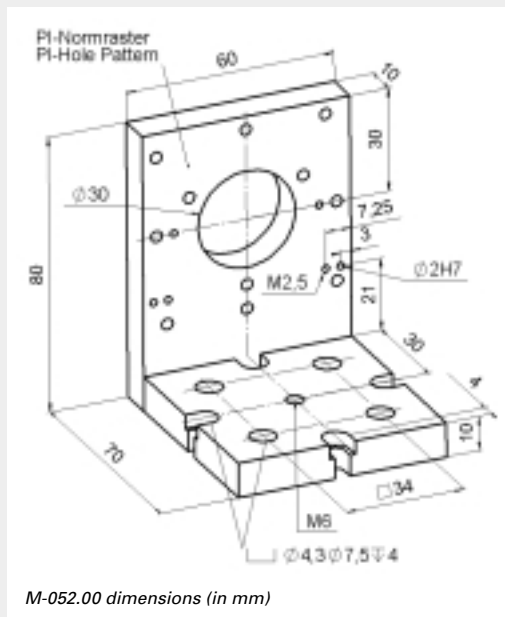
M-052.00

Z-axis mounting bracket for vertical mount of M-011, M-035, M-037 and M-041/42 on stages with PI standard hole pattern

Material: Al; Weight: 0.22 kg



M-052.00 Z-axis mounting bracket

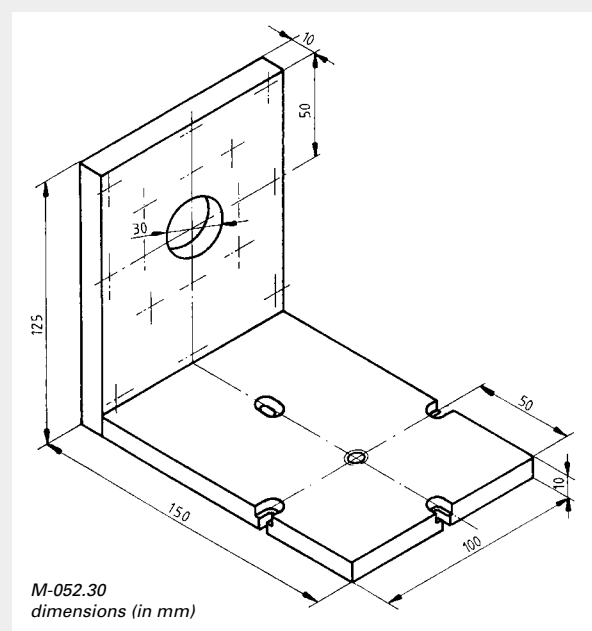


M-052.30 Z-axis mounting bracket

M-052.30

Z-axis mounting bracket (laterally extended M-052.00) for vertical mount of M-011, M-035, M-037 and M-041/42 on stages with PI standard hole pattern.

Material: Al; Weight: 0.4 kg



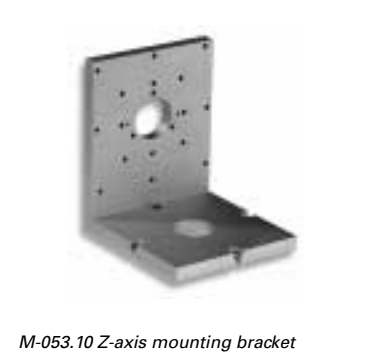
Accessories (cont.)

Angle Brackets for M-014 , M-036 , M-038 , M-043/4

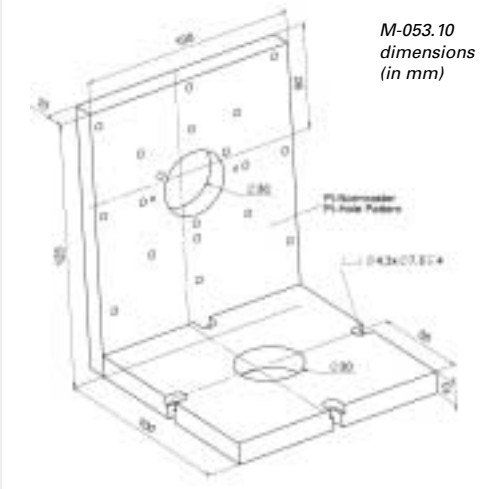
M-053.10

Z-axis mounting bracket for vertical mount of M-014 (non-motorized), M-036, M-038 and M-043/44 on stages with PI standard hole pattern.

Material: Al; Weight: 0.6 kg



M-053.10 Z-axis mounting bracket

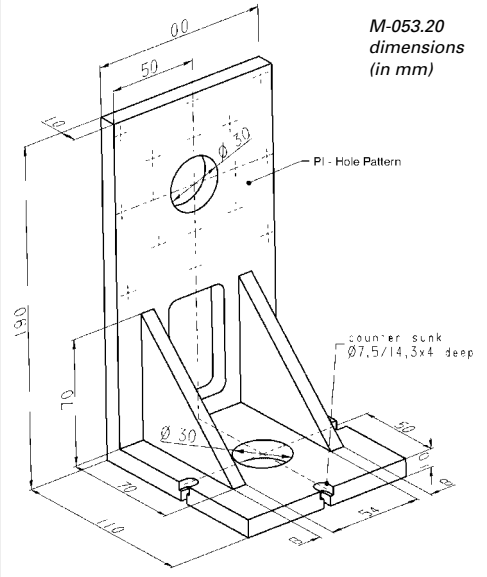


M-053.20 Z-axis mounting bracket

M-053.20

Z-axis mounting bracket (vertically extended M-053.10) for vertical mount of M-014 (motorized), M-036, M-038 and M-043/44 on stages with PI standard hole pattern.

Material: Al; Weight: 0.7 kg

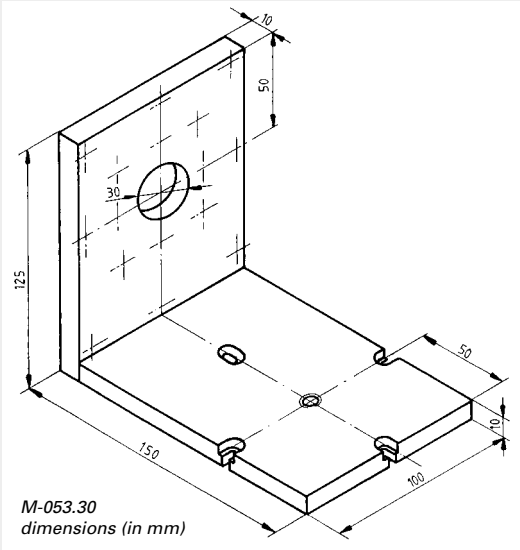


M-053.30 Z-axis mounting bracket

M-053.30

Z-axis mounting bracket (laterally extended M-053.10) for vertical mount of M-014 (non-motorized), M-036, M-038 and M-043/44 on stages with PI standard hole pattern.

Material: Al; Weight: 0.7 kg



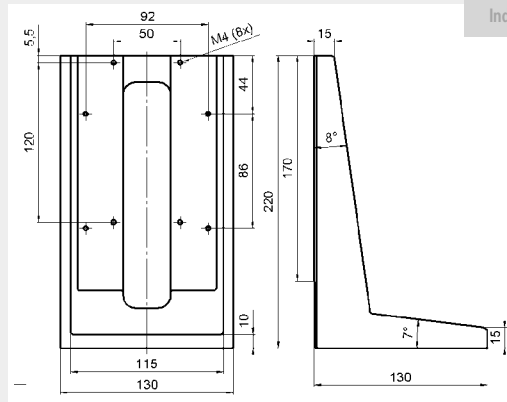
<http://www.pi.ws>
info@pi.ws

Mounting Adapters for M-505, M-510, M-511, M-521 and M-531 Stages

M-592.00

Z-axis mounting bracket for vertical mount of M-400, M-505 and M-510 stages.

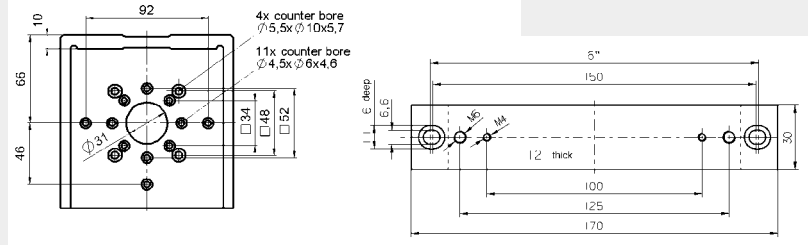
Material: Al;
Weight: 1.1 kg



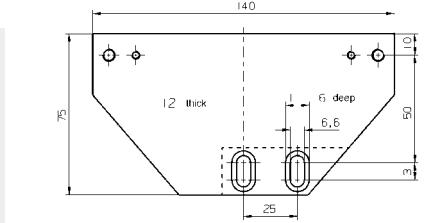
M-590.00

Three-point support set for mounting M-505, M-510, M-511, M-521 and M-531 stages on honeycomb table tops etc. (metric and Imperial).

Material: Al;
Weight: 0.4 kg



M-592.00 dimensions (in mm)



M-590.00 dimensions (in mm)

M-592.10

Z-axis mounting bracket for vertical mount of M-511, M-521 and M-531 stages.

Material: Al;
Weight: 1.5 kg



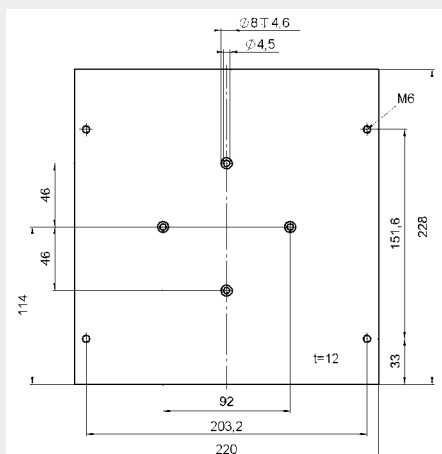
M-592.00 Z-axis mounting bracket



M-590.00 three-point support



M-592.10 Z-axis mounting bracket

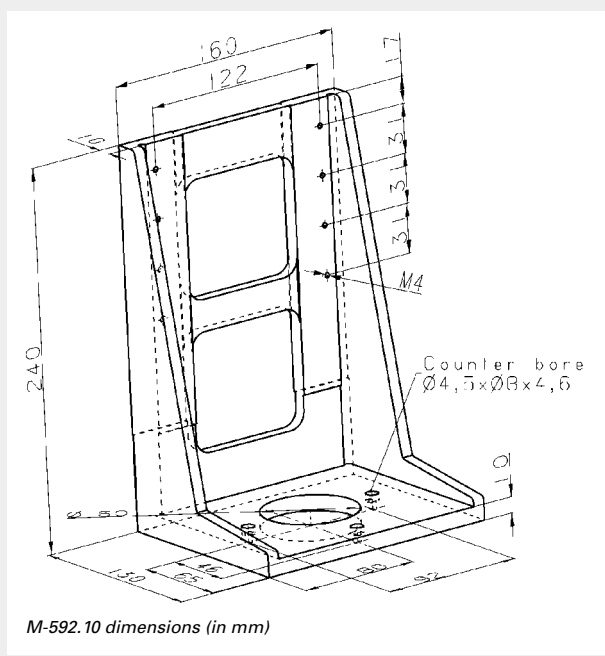


M-500.206 adapter plate

M-500.206

Adapter plate for mounting F-206 MicroMotion Robots on M-511, M-521 and M-531 translation stages.

Material: Al



M-592.10 dimensions (in mm)

Accessories (cont.)

Mounting Adapters for Honeycomb Tables and M-405, M-410 and M-415 Stages

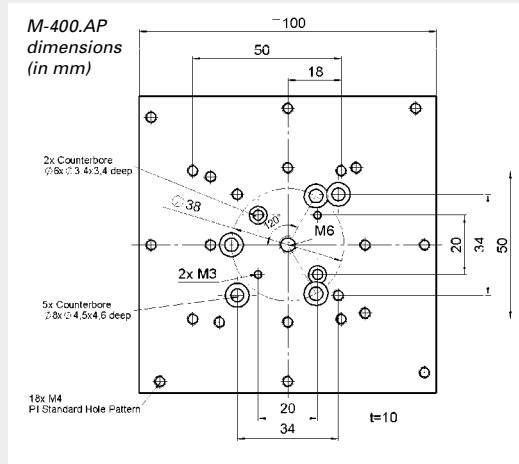


M-400.AP

M-400.AP

Adapter plate for mounting stages w/o PI Standard Hole Pattern (e.g. M-405, M-410 and M-415) on stages with PI Standard Hole Pattern and vice versa.

Material: Al; Weight: 0.25 kg

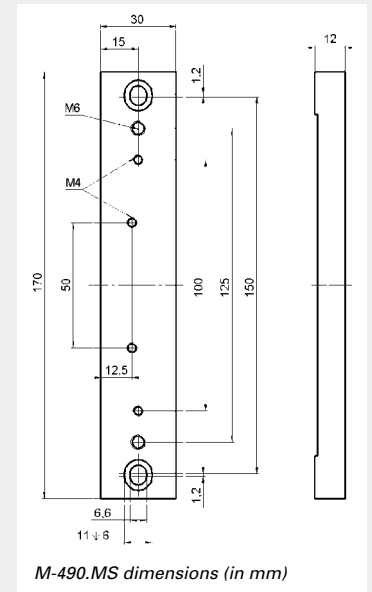


M-490.MS mounting set, top view and bottom view

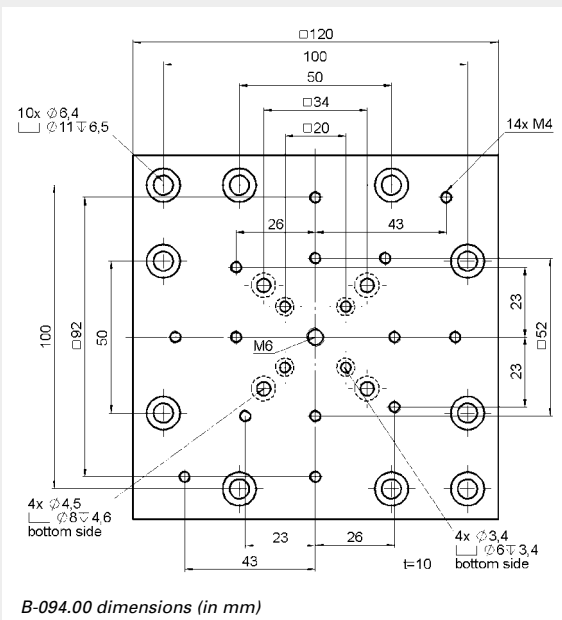
M-490.MS

Set of two for mounting M-405, M-410 and M-415 stages on honeycomb table tops etc. (metric and Imperial).

Material: Al; Weight: 0.4 kg



M-490.MS dimensions (in mm)



B-094.00 dimensions (in mm)

B-094.00

Adapter plate for mounting several translation stages and rotary stages on honeycomb tables (M6 on 25 mm spacing).

Material: Al

PZT Actuators
PZT Flexure NanoPositioners
PZT Active Optics / Steering Mirrors
Tutorial: Piezoelectrics...
Capacitive Position Sensors
PZT Control Electronics
MicroPositioners / Hexapod Systems
Photonics Alignment & Packaging Systems
Motor Controllers
Index

<http://www.pi.ws>
info@pi.ws

Accessories (cont.)

Flexible Couplings and Mounting Adapters for Micrometers

M-149

The M-149 flexible bellows couplings allow zero-backlash connection between motor shaft and drive shaft automatically compensating for parallel and angular misalignment.

Dimensions (in mm) (outside diameter x length; bore shaft diameters)

M-149.01:
17x30.2 mm; 4 mm / 4 mm

M-149.02:
17x30.2 mm; 5 mm / 5 mm

M-149.03:
17x30.2 mm; 6 mm / 6 mm

M-149.11:
12x23.6 mm; 4 mm / 4 mm

M-149.12:
12x23.6 mm; 5 mm / 5 mm

M-149.14:
12x23.6 mm; 2 mm / 5 mm



M-149 flexible couplings

M-151

Holders for manual micrometers and DC-Mikes on M-011 and M-014.

Dimensions (in mm) (Inner diameter x length)

M-151.10: 12x17 mm
(holds M-623/4 micrometer)

M-151.30: 16x10 mm
(holds 10 mm M-227)

M-151.40: 16x14 mm
(holds 25 & 50 mm M-227)

M-151.50: 19x14 mm
(holds 25 & 50 mm M-227)



M-151 holders