

PZT Actuators
PZT Flexure NanoPositioners
PZT Active Optics / Steering Mirrors
Tutorial: Piezoelectrics...
Capacitive Position Sensors
PZT Control Electronics
MicroPositioners / Hexapod Systems
Photonics Alignment & Packaging Systems
Motor Controllers
Index

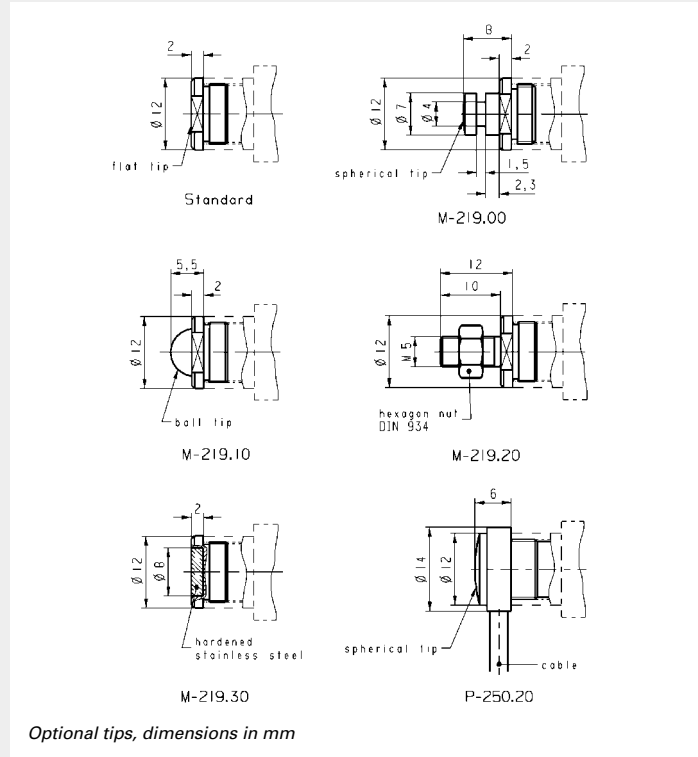
<http://www.pi.ws>
info@pi.ws

M-219 Piezo Tip

Optional Tips for Micrometers and Actuators

Ordering Information

- M-219.00**
Spherical Tip
- M-219.10**
Ball Tip
- M-219.20**
Tip with M5 Threaded Stud
- M-219.30**
Hardened Stainless Steel Tip
- Custom Designs for Volume Buyers**



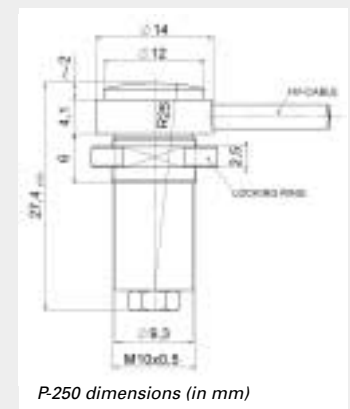
M-227 DC-Mikes, M-168 Step-per Mikes and M-631 to M-633 manual micrometer drives are supplied with flat tips. The following optional replacement tips are available (all with M10 x 0.5 mm fine threads):

P-250.20 PZT Translator

High-Resolution PZT Micrometer Tip



The P-250.20 PZT translator can be mounted like an optional tip. It has a travel range of 20 μm and sub-nanometer resolution with response in the millisecond range. For further information and technical data see page 1-12 in the "PZT Actuators" section.



Ordering Information

- P-250.20**
Micrometer-Mountable PZT Translator